

# APPROVAL SHEET

To : \_\_\_\_\_

Spec No. : \_\_\_\_\_ Date : \_\_\_\_\_

MAI P/N Customer P/N  
MW18-188P-B215 \_\_\_\_\_

Description : RJ45 1x1 Vertical  
\_\_\_\_\_

RoHS Compliant  
\_\_\_\_\_

	Approved	Checked	Prepared
Name Date			

**M.A.I.**

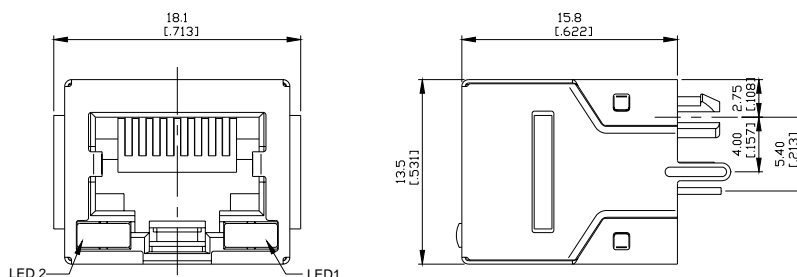
Email: sales@medlandandassociates.com

TEL: 408-686-0460

FAX: 408-686-0462

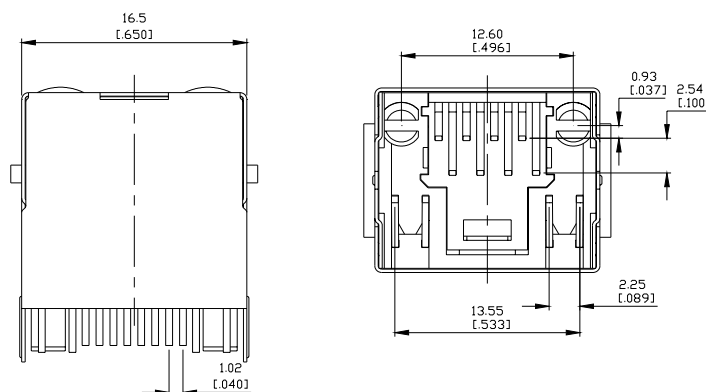
# 1 MECHANIC DIMENSIONS

## 1.1 Dimension

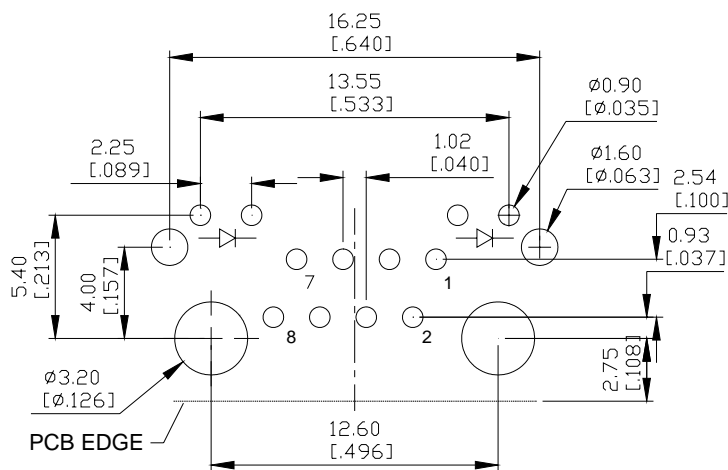


General Tolerance : .X : ±0.25

.XX : ±0.13



## 1.2 PCB Layout



**SUGGESTED PCB LAYOUT  
TOP VIEW**

SPEC NO. :		R E V . :	ECN NO. :		PAGE :	1 / 4
------------	--	-----------	-----------	--	--------	-------

1.3 Materials

1.3.1 RJ Terminal : Phosphor Bronze , Thickness=0.35mm

Finish : ( a ) Contact Area : 15 μ” Gold

( b ) Solder tail Area : 100μ” min. Tin

( c ) Underplating : 50~100μ” Nickel over all

1.3.2 Plastic Parts :

1.3.2.1 Housing : Thermoplastic , Black

Flame Class : UL94 V-0

1.3.3 Shell Parts :

1.3.3.1 Shell : Brass , Nickel plating

1.4 Operating and Storage Temperature

1.4.1 Operating Temperature : 0 TO +70

1.4.2 Storage Temperature : -40 TO +85

1.5 RJ45 specifications:

1.5.1 Insulation Resistance: 500MΩMin

1.5.2 Dielectric Withstanding Voltage: 1000VAC Min

1.6 Performance and Test Description

Product is designed to meet electrical, mechanical and environmental performance requirements specified in below table. All tests are performed at ambient environmental conditions per MIL-STD-1344A and EIA-364 unless otherwise specified.

1.7 Packaging and Packing

All parts shall be packaged and packed to protect against physical damage, corrosion and deterioration during shipment and storage.

3 ORDER INFORMATION

MW 1 8 - 1 8 8 P - B x 1 x  
A B C D E

A: Positions : 8

B : Contacts: 8

C : Housing color

B: black

D : Plating Code

- 0: 3u" gold
- 1: 6u" gold
- 2: 15u" gold
- 3: 30u" gold
- 4: 50u" gold

E : LED code

	Left LED(LED 2)	Right LED(LED 1)
0	w/o	w/o
1	Green	Yellow
2	w/o	Green
3	Yellow	w/o
4	Yellow	Green
5	Green	Green
6	Yellow	Yellow
7	Orange/Green	Orange/Green
8	Yellow/Green	Yellow/Green
9	Orange/Green	Yellow

Dipping temperature profile

(Note) The measuring point for the specified temperature shall be on the soldered part of the leads

