

Medland & Associates, Inc.

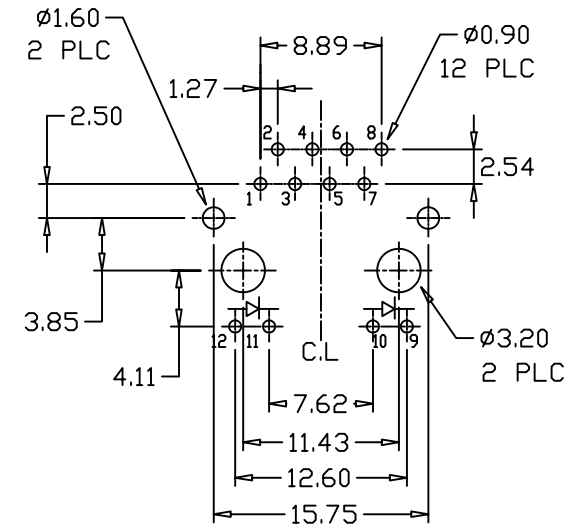
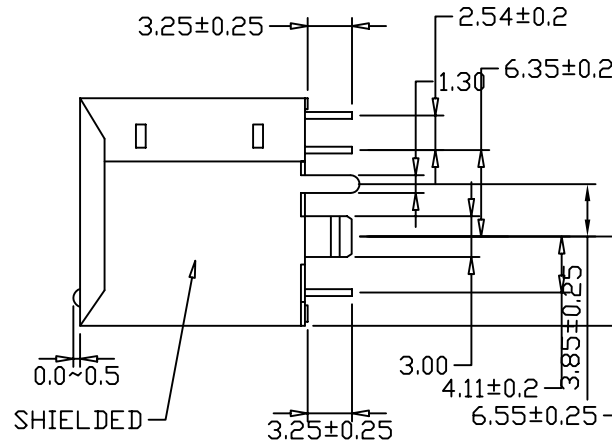
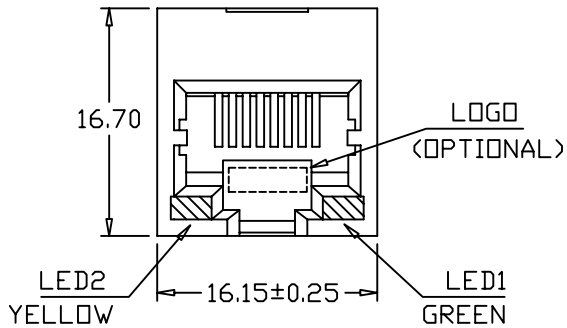
Tel: 408-686-0460

Email: Sales@medlandandassociates.com

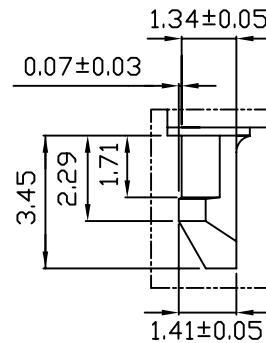
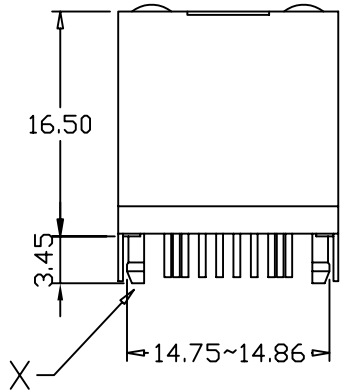
MATERIAL:

- HOUSING-PBT POLYESTER UL94V-0  
MIXED GLASS FIBER.  
STANDARD COLOR-BLACK
- CONTACTS-0.35mm THICK PHOS-BRONZE  
PLATED WITH HARD GOLD AND  
GOLD FLASH IN SOLDER AREA.
- SHIELD-0.25mm THICK COPPER ALLOY,  
PLATED WITH NICKEL.

CAVITY CONFIRMS TO FCC RULES AND REGULATIONS  
PART 68,SUBPART F.



PCB Layout  
Ref.



DETAIL X

REV	ECN NUMBER	DATE	DRAW	APPROVE
		11-Nov-06		

APPROVE	UNITS : mm	DWG NO.
CHECK	GENERAL TOLERANCE	
DRAW	.X± 0.25 X.± 2*	
	.XX± 0.13 .X*± 1*	

SCALE	SHEET	REV

W1

W1-9644-881X-SOL1-D  
RJ45 1x1 Vertical