

AMERICAN THERMAL PRODUCTS
Medland & Associates, Inc.

Tel: 408-269-4010 Fax: 408-267-7505 Email: sales@medlandandassociates.com URL: www.medlandandassociates.com

Standards and Specifications
of
Model: FD9225B12W7-3R

A. General Specification

| Item | Specification / Standard / Condition | |
|---|---|---|
| Outline Dimension | 92 mm x 92 mm x 25 mm | |
| Bearing | Ball Bearing | |
| Rated Voltage | DC 12 V | Tolerance: ± 10% |
| Starting Voltage | DC 7.0 V | 1. Rated Voltage 2. 25°C, 65% RH |
| Rated Current | 0.23 A | |
| Power Consumption | 2.76 W | |
| Speed | 2,800 R.P.M. | 1. Free Air 2. Rated Voltage 3. 25°C, 65% RH |
| Maximum Airflow | 63.7 CFM | 1. Rated Voltage 2. AMCA Standard 3. Rated Current |
| Maximum Static Pressure | 3.5 mm-H ₂ O | |
| Noise Level | 37.4 dB (A) | 1. Rated Voltage 2. Measured in a Non-Echo Chamber 3. CNS 8753 Standard 4. ISO 3744 Test Condition |
| Life | 75,000 hrs 25°C | MTTF (Mean Time to Failure Conf. Level 90%) |
| Number of Blade | 7 Blades | |
| Number of Pole | 4 Poles | |
| Rotating Direction | Counter-Clockwise | |
| Plastic Material: Blade, Housing, Bobbin | 1. UL 94V-0 2. P.B.T. + 30% GF Black | |
| Lead Wire | UL 1007, 24 AWG | Red: (+) Black: (-) |
| Connector | | |

B. Electrical Specification

| Item | Specification / Condition |
|-------------------------|--|
| Locked Rotor Protection | a. (Auto power off after locked at rated voltage for 1 sec.) b. (After auto power off, circuit attempt to restart in 2 to 6 sec.) |
| Polarity Protection | Circuit is protected when V _{CC} & GND are exchanged. |
| Insulation Resistance | 10 m.Ohm / between unshielded wire and frame at 500 VDC/min. |
| Dielectric Strength | 5 mA Maximum. / Measured between lead wire + and frame at 500 VAC/min. |

AMERICAN THERMAL PRODUCTS

Medland & Associates, Inc.

Tel: 408-269-4010 Fax: 408-267-7505 Email: sales@medlandandassociates.com URL: www.medlandandassociates.com

C. Environmental Specification

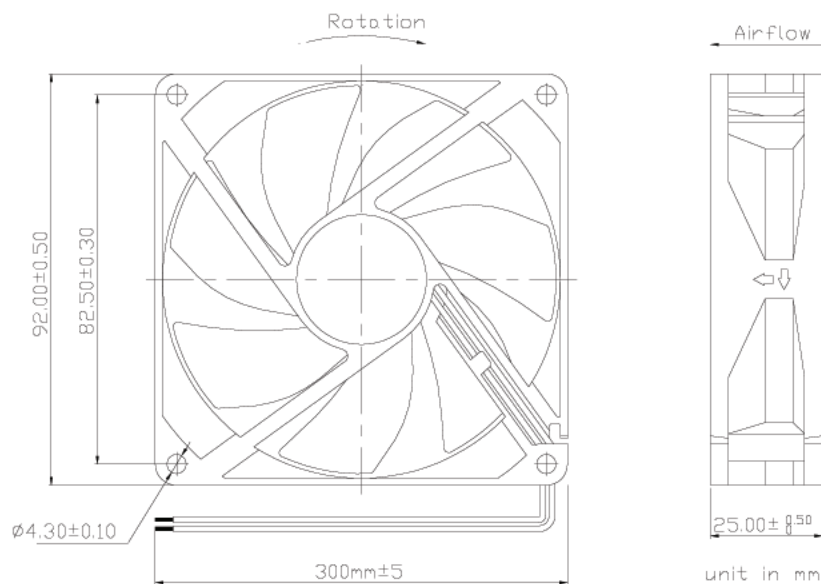
| Item | Specification / Condition |
|--------------------------|---|
| Operating Condition | Temperature: -10°C ~ + 70°C Humidity: 35% ~ 85% RH |
| Storage Temperature | Temperature: -10°C ~ + 70°C Humidity: 35% ~ 85% RH |
| Humidity | Per MIL-STD-202F Method 103B Life: 96 hours Humidity: 95% Temperature: +40 ± 2°C |
| Thermal Shock | Per MIL-STD-202F Method 107D, Condition D |
| Packing Vibration Test | Packing condition: X, Y, Z 3 directions, 1.1G load vibration test for 30 min. |
| Packing Shock Proof Test | 1 corner, 3 edges, 6 faces natural drop from 60cm high, packed |



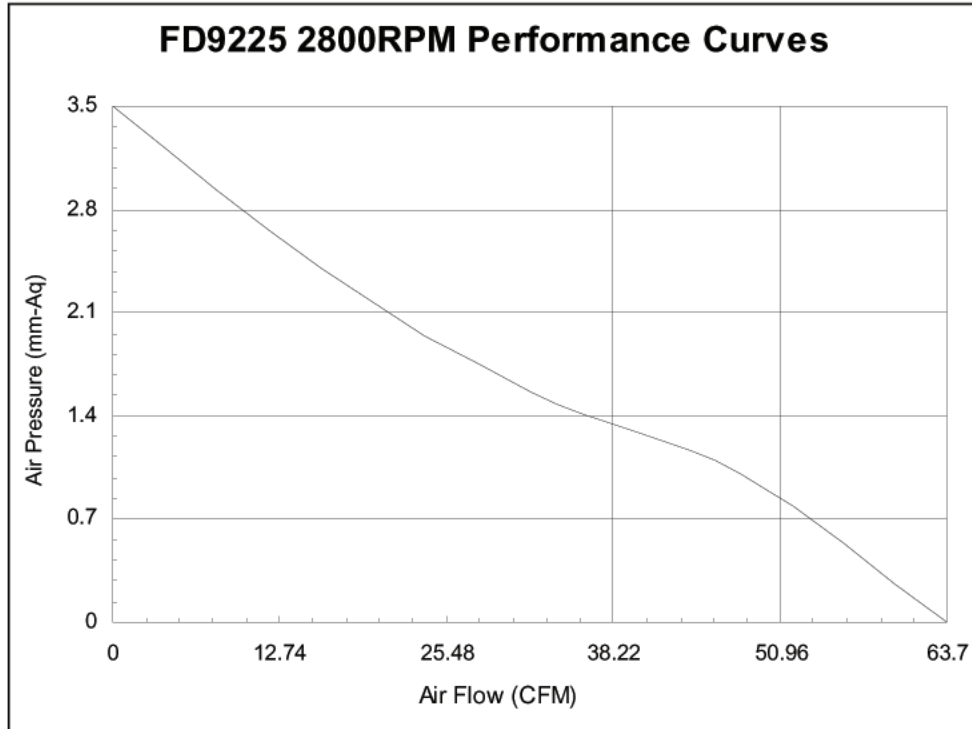
D. Safety Approvals

| Safety Approval | File No. |
|-----------------|----------|
| UL | E194726 |
| CUL | E194726 |
| TUV | R2054644 |

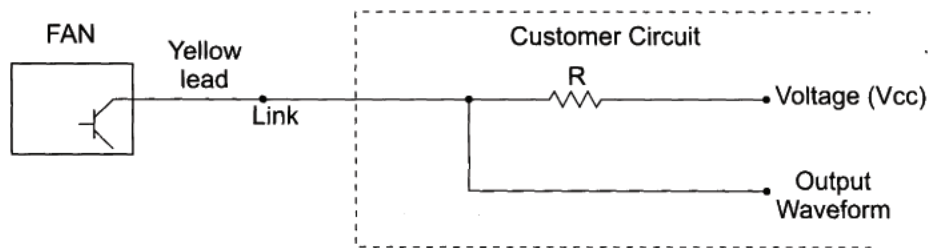
E. Model Drawing



F. Air Flow Performance Curve



G. Tachometer (Speed Sensor) Output



** Please select "R" to make "Link" less than 10mA ** * Vcc: 30V MAX , Link: 10mA MAX

Output Waveform

