

AMERICAN THERMAL PRODUCTS*Medland & Associates, Inc.*

Tel: 408-269-4010 Fax: 408-267-7505 Email: sales@medlandandassociates.com URL: www.medlandandassociates.com

Standards and Specifications of Model: FD4028B12W7-42M

A. General Specification

Item	Specification / Standard / Condition	
Outline Dimension	40 mm x 40 mm x 28 mm	
Bearing	Dual Ball Bearing	
Rated Voltage	DC 12 V	Tolerance: $\pm 10\%$ 1. Rated Voltage 2. 25°C, 65% RH
Starting Voltage	DC 7.0 V	
Rated Current	0.13 A	
Power Consumption	1.56 W	
Speed	8,500 R.P.M.	1. Free Air 2. Rated Voltage 3. 25°C, 65% RH 4. Tolerance: $\pm 10\%$
Maximum Airflow	11.3 CFM	1. Rated Voltage 2. AMCA Standard 3. Rated Current 4. ISO 3744 Test Condition
Maximum Static Pressure	10.6 mm-H ₂ O	
Noise Level	35.0 dB (A)	
Life	75,000 hrs 25°C	MTTF (Mean Time to Failure Conf. Level 90%)
Number of Blade	5 Blades	
Number of Pole	4 Poles	
Rotating Direction	Counter-Clockwise	
Plastic Material: Blade, Housing, Bobbin	1. UL 94V-0 2. P.B.T. + 30% GF Black	
Lead Wire	UL1007, 26 AWG	Red: (+) Black: (-)
Connector	Molex 22-01-2035 / 08-55-0102 or equivalent.	

B. Electrical Specification

Item	Specification / Condition
Locked Rotor Protection	No damage done for a continuous 72 hours rotation lock at rated voltage.
Polarity Protection	Circuit is protected when V _{CC} & GND are exchanged.
Insulation Resistance	10 m.Ohm / between unshielded wire and frame at 500 VDC/min.
Dielectric Strength	5 mA Maximum. / Measured between lead wire + and frame at 500 VAC/min.

AMERICAN THERMAL PRODUCTS

Medland & Associates, Inc.

Tel: 408-269-4010 Fax: 408-267-7505 Email: sales@medlandandassociates.com URL: www.medlandandassociates.com

C. Environmental Specification

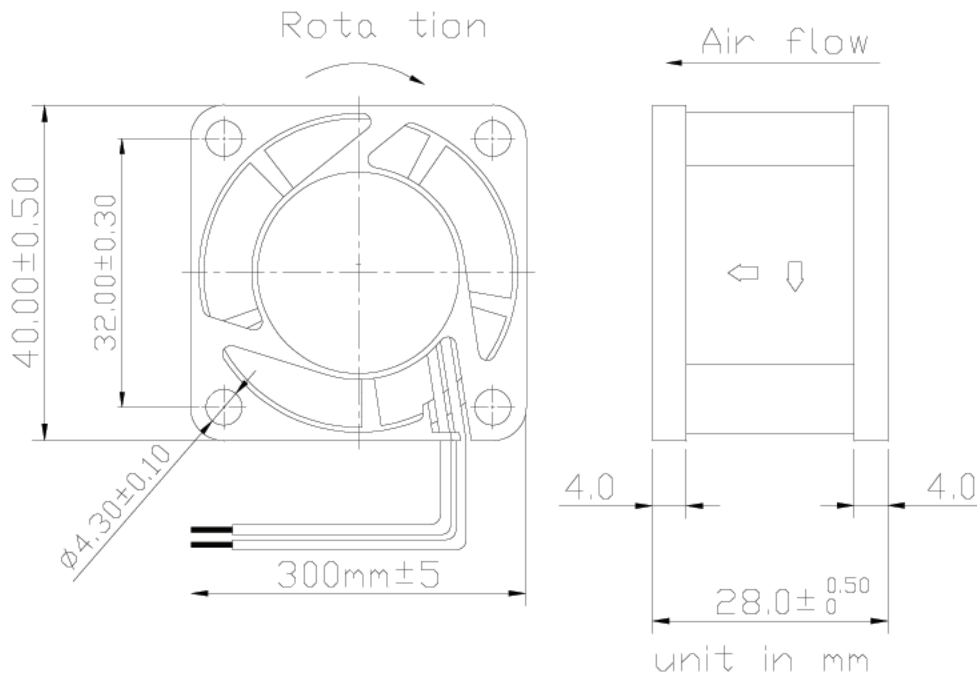
Item	Specification / Condition
Operating Condition	Temperature: -10°C ~ + 70°C Humidity: 35% ~ 85% RH
Storage Temperature	Temperature: -10°C ~ + 70°C Humidity: 35% ~ 85% RH
Humidity	Per MIL-STD-202F Method 103B Life: 96 hours Humidity: 95% Temperature: +40 ± 2°C
Thermal Shock	Per MIL-STD-202F Method 107D, Condition D
Packing Vibration Test	Packing condition: X, Y, Z 3 directions, 1.1G load vibration test for 30 min.
Packing Shock Proof Test	1 corner, 3 edges, 6 faces natural drop from 60cm high, packed



D. Safety Approvals

Safety Approval	File No.
UL	E194726
CUL	E194726

E. Model Drawing



AMERICAN THERMAL PRODUCTS

Medland & Associates, Inc.

Tel: 408-269-4010 Fax: 408-267-7505 Email: sales@medlandandassociates.com URL: www.medlandandassociates.com

F. Air Flow Performance Curve

