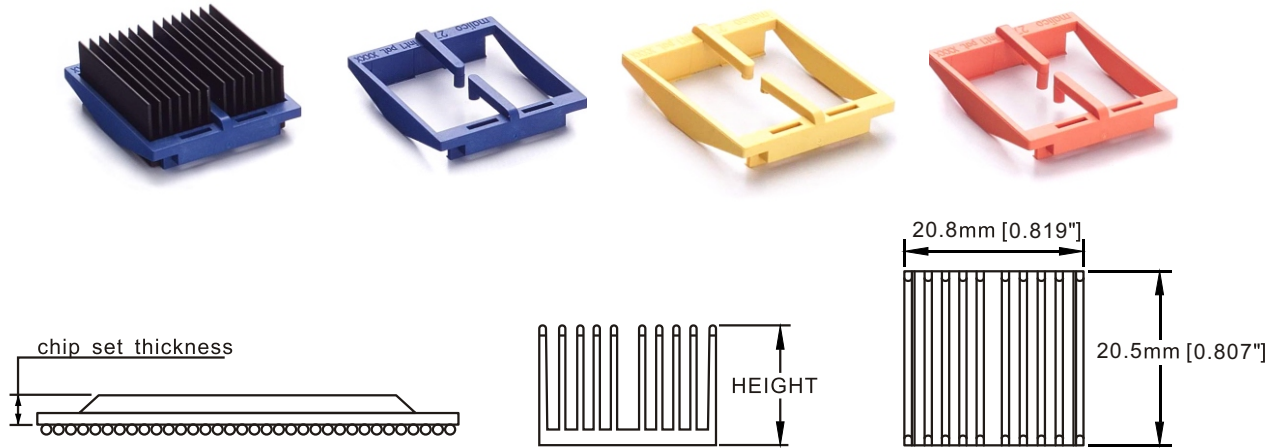


Model : CHBA312121 Series

Specification

BGA Heat Sink for 21x21 chip set



■ **Heat sink material :**

AL6063

■ **Finish :**

Black Anodize

■ **Chip set package thickness and clip color :**

- 2.1mm~2.6mm Yellow clip
- 1.5mm~2.0mm Blue clip
- 0.9mm~1.4mm Orange clip

■ **Accessory :**

- Clip material Plastic(94V0)
- Thermal pad T725 19x19mm [0.748"]

Part number	Length (mm) [Inch]	Width (mm) [Inch]	Total height (mm) [Inch]	Base (mm) [Inch]	Clip color
CHBA3121210601-00	20.8 [0.819"]	20.7 [0.815"]	6.3 [0.248"]	1.7 [0.066"]	Yellow
CHBA3121210602-00					Blue
CHBA3121210603-00					Orange
CHBA3121211001-00	20.8 [0.819"]	20.5 [0.807"]	9.5 [0.374"]	1.7 [0.066"]	Yellow
CHBA3121211002-00					Blue
CHBA3121211003-00					Orange
CHBA3121211301-00	20.8 [0.819"]	20.5 [0.807"]	12.7 [0.500"]	1.7 [0.066"]	Yellow
CHBA3121211302-00					Blue
CHBA3121211303-00					Orange

Performance

Heat Source(LxW):15x15mm

